



Melody 3

Public Access or Domestic, Exterior or Interior Lift

Terry
total lift solutions

The Mobility Lift Specialists
Trusted for over 50 years

Buy direct from the British manufacturer

www.terrylifts.co.uk/melody3

Call **0330 053 6779** for free and impartial advice



THE *reliable* SOLUTION FOR YOUR WHEELCHAIR LIFTING NEEDS



The **Melody 3 Platform Lift** is the perfect solution for easy wheelchair access both outside and inside of a property. The lift provides a maximum travel of 3 metres and is available in two platform sizes.

Accessing a domestic property independently is easy with the Melody 3. In public buildings, the lift provides a reliable solution and complies with the current disability legislation.

When you choose the Melody 3, your lift will be installed quickly and easily. An integral ramp eliminates the requirement for a pit, which keeps building work to a minimum.

User safety and comfort are in the heart of the design. The lift is equipped with safety surfaces and a battery back-up. The powered carriage and landing gate options allow for even easier access and egress.

WHY INSTALL A *Melody 3* MOBILITY LIFT?

- ✓ **Quick installation** within 2 days
- ✓ Integral ramp **keeps building work to a minimum**
- ✓ Option of **automatic gates** for even easier access and egress
- ✓ **Aesthetically pleasing** solution due to the attractive design and lack of a mast or support tower
- ✓ **Complies with BS6440:2011** and Part M of the Building Regulations
- ✓ Available in **two platform sizes**:
900 mm x 1400 mm (standard)
and 1100 mm x 1400 mm
- ✓ **Max load of 500 kg** for lift travels up to 2 m and 440 kg from 2 m up to 3 m
- ✓ **No pit required**





Specifications

Finish: Painted carriage and upper level landing gate with polycarbonate infills

Useable platform area: 900 mm x 1400 mm

Integral ramp: Eliminates the requirement for a pit – minimises building work

Maximum safe working load:
500 kg up to 2 m / 440 kg up to 3 m

Maximum travel: 3 m (3000 mm)

Minimum travel: 750 mm

Rated speed: 0.06 metres per second

Power supply electrical requirements:
Dedicated 240 V AC~ 50 Hz 13 A single phase
RCD Protected Supply

Low voltage operating system: 12 VDC

Hydraulic oil grade: HV122

Operating temperature range: -10 °C to +40 °C

Safety: Safety surfaces protect against entrapment below the platform. The lift has battery back-up for emergency lowering only. Hose burst valve on the ram. Chequer plate floor.

Lifting mechanism:
Direct acting hydraulic drive system

IP rating: Control stations IP53X

Corrosion resistant materials (All visible components):
Aluminium. Polyester Powder Coating applied to either galvanised or zintec steel sheet or active zinc primer.

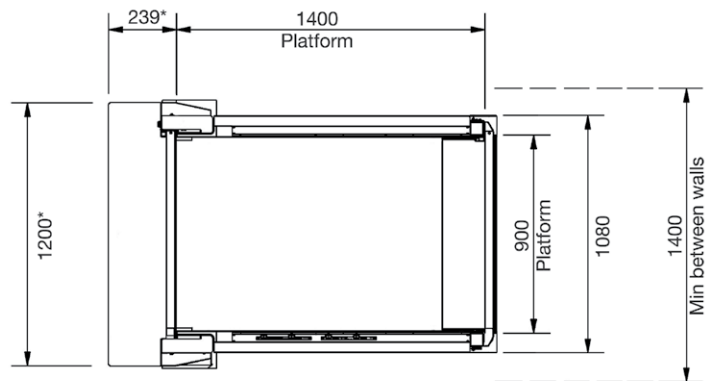
Design and manufacturing standard:
2006/42/EC Machinery Directive, (CE Mark),
and BS6440 (2011).

Available options

- Powered platform and landing gates
- 1100 mm x 1400 mm platform
- Dual car controls
- Full battery back up
- Stainless Steel Kit: All handrail posts, kicking strips, platform trims, upper handrail panels and covers
- Pit Installation (indoor installation only)
- Remote Enabler or Remote Isolate (extra fobs available)
- Stand alone call station in post - stainless steel or painted finish
- Wall mounted surface or flush call stations
- Special paint finishes
- Various non-slip vinyl floor coverings
- LED down lights
- GPRS autodialler for 2 way voice communication

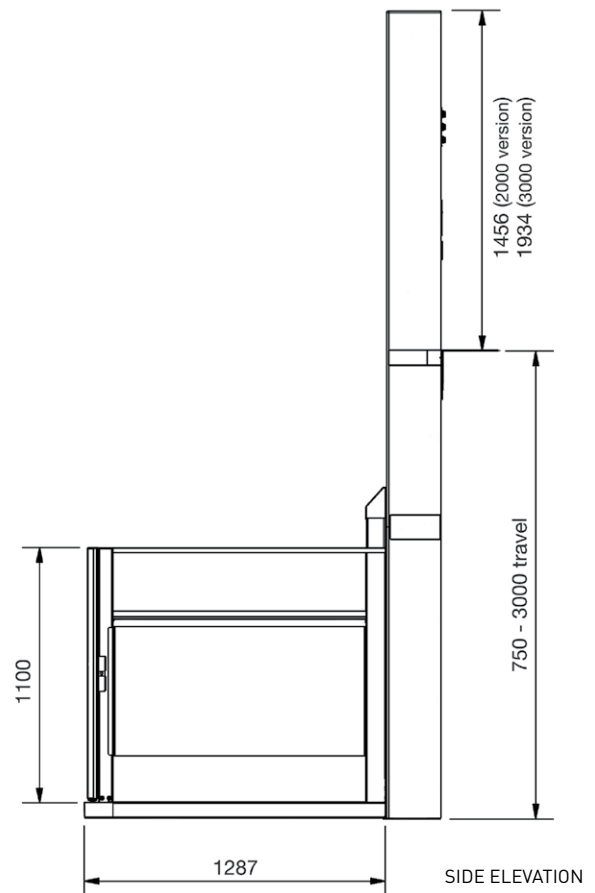
Dimensions

All dimensions in mm



* Upper level fixing plate

FOOTPRINT



SIDE ELEVATION

Call us today on: **0330 053 6779**
or e-mail: **enquiries@terrylifts.co.uk**

Terry
total lift solutions

Terry Group Ltd.,
Longridge Trading Estate,
Knutsford, Cheshire, WA16 8PR

Tel: **+44 (0)330 053 6779**
www.terrylifts.co.uk

