



Melody 3

Public Access or Domestic, Exterior or Interior Lift

TerryLifts
total lift solutions

The Specialist in Mobility Lifts
Trusted for over 50 years

Buy direct from the British manufacturer

www.terrylifts.co.uk/melody3

Call **01565 752800** for free and impartial advice



The reliable solution for your wheelchair lifting needs



The **Melody 3 Platform Lift** is the perfect solution for easy wheelchair access both outside and inside of a property. The lift provides a maximum travel of three metres and is available in two platform sizes.

Accessing a domestic property independently is easy with the Melody 3. In public buildings, the lift provides a reliable solution and complies with the current disability legislation.

When you choose the Melody 3, your lift will be installed quickly and easily. With its 500 kg weight capacity, the Melody 3 can accommodate virtually any manual or powered wheelchair, the design also allowing for a carer to travel with the user. The free-standing design eliminates the need for a pit or permanent floor fixture meaning existing floor finishes can be retained.

User safety and comfort are at the heart of the design. The lift is equipped with safety surfaces, also complete with battery back up. The carriage and landing gate can be powered for even easier access and egress.

Why install a Melody 3 platform lift?

- ✓ **Quick installation** within 2 days
- ✓ Integral ramp **keeps building work to a minimum**
- ✓ Option of **automatic gates** for even easier access and egress
- ✓ **Aesthetically pleasing** solution due to the attractive design and lack of a mast or support tower
- ✓ **Complies with BS6440:2011** and Part M of the Building Regulations
- ✓ Available in **two platform sizes**: 900 mm x 1400 mm (standard) and 1100 mm x 1400 mm
- ✓ **Max load of 500 kg** for lift travels up to 2 m and 440 kg from 2 m up to 3 m
- ✓ **No pit required**





Specifications

Finish: Painted carriage and upper level landing gate with polycarbonate infills

Useable platform area: 900 mm x 1400 mm

Integral ramp: Eliminates the requirement for a pit – minimises building work

Maximum safe working load:

500 kg up to 2 m / 440 kg up to 3 m

Maximum travel: 3 m (public access restricted to 2 m)

Minimum travel: 750 mm (consider our Melody 1 for lower lift height)

Rated speed: 0.06 metres per second

Power supply electrical requirements:

Dedicated 240 V AC~ 50 Hz 13 A single phase
RCD Protected Supply

Low voltage operating system: 12 VDC

Hydraulic oil grade: HV122

Operating temperature range: -10 °C to +40 °C

Safety: Sensitive surfaces protect against entrapment below platform. Battery back-up for emergency lowering. Interlocking gates to prevent opening during travel. Hose burst protection valve on hydraulic system.

Lifting mechanism:

Direct acting hydraulic drive system

IP rating: Control stations IP53X

Design and manufacturing standard:

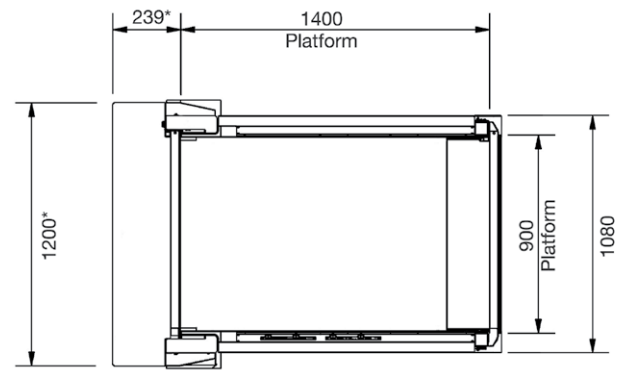
2006/42/EC Machinery Directive, (CE Mark),
and BS6440 (2011).

Available options

- Powered platform and landing gates
- Wider 1100 mm x 1400 mm platform
- Dual car controls
- Full battery back up
- Stainless Steel Kit: All handrail posts, kicking strips, platform trims, upper handrail panels and covers
- Pit Installation (indoor installation only)
- Remote Enabler or Remote Isolate (extra fobs available)
- Stand alone call station in post - stainless steel or painted finish
- Wall mounted surface or flush call stations
- Special paint finishes
- Various non-slip vinyl floor coverings
- Platform illumination

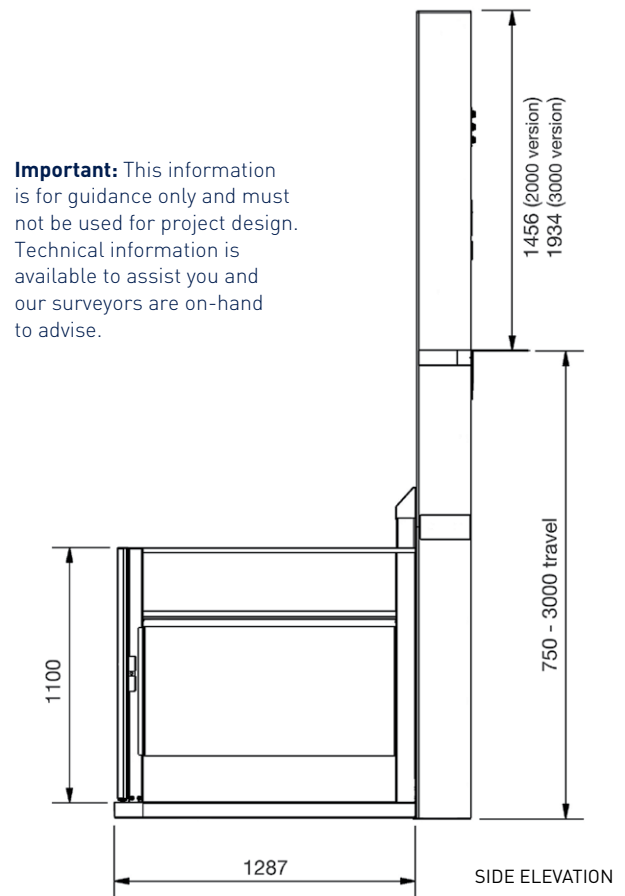
Dimensions

All dimensions in mm



* Upper level fixing plate

FOOTPRINT



Important: This information is for guidance only and must not be used for project design. Technical information is available to assist you and our surveyors are on-hand to advise.

Terry Lifts

total lift solutions

Terry Group Ltd. Unit 1-3,
Longridge Trading Estate
Knutsford, Cheshire WA16 8PR

Tel: +44 (0)1565 752 800
www.terrylifts.co.uk
enquiries@terrylifts.co.uk



Issue date: 4/2021

